



Description

The Convex collection experiments with BROKISGLASS and makes use of its specific properties and processing methods. Designed and manufactured in the form of a convex lens, it pushes the boundaries of function, visual representation, and shaping of this unique and vibrant material. Together with a minimalist, precisely crafted body, it creates an unobtrusive yet unconventional luminaire. The utilitarian design, which highlights the beauty and optical properties of the glass, is well suited to a broad range of applications in both residential and commercial spaces. The Convex collection comprises a pendant and a wall light, each available in two sizes, whereas the wall variant can also be mounted on the ceiling. Choose from clear triplex opal, or a combination of clear triplex opal and grey triplex opal, where the darker fragments gradually transition to lighter towards the centre of the glass.



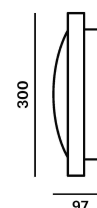
Tech. description

The light comprises a milled dural body with integrated LED module and balancing system and a mounting bracket. The Brokisglass shade is attached to the body of the light via bayonet system. The light is intended for installation on a wall or ceiling.

CONSTRUCTION SPECIFICATION

Weight:	5.6 kg
Construction material:	glass, metal
Cord length [mm]:	2.200 mm
Mounting:	Ceiling
Environment:	Indoor

DIMENSIONS [mm]



ELECTRICAL SPECIFICATION

Input voltage [V]:	100 - 240 V
Frequency [Hz]:	50-60 Hz
Max. power [W]:	47 W
Coverage IP:	20
Socket:	-
Light source:	LED module
Energy class:	E

CERTIFICATIONS





CM17913

Type	LED modul
Příkon [W]	40 W
Vstupní napětí [V]	24 VDC
Energetická třída	E
Světelný tok [lm]	4630 lm
Barevná teplota [K]	2700 K
CRI	90
Stmívatelnost	ano

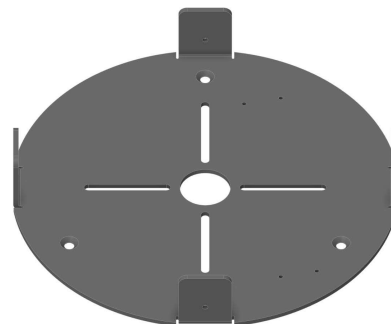
CM17774

Type	LED module
Lamp wattage [W]	40 W
Input voltage [V]	24 VDC
Energy class	E
Flux [lm]	3624-5843 lm
Light colour [K]	1800-6500 K
CRI	90
Dimmable	yes



INNER FIXTURE

Dimensions w x h [mm] 226,7 x 40 mm
Weight [kg] 1 kg
Material metal



Drawing

Hole placement

